

GAZEBO EXPRESS 3x2m

Professional compact gazebo. Suitable for markets and local events.



PROTECTS
TO UV RAYS



WATER
RESISTENT



WIND
RESISTANT



FIRE
RETARDANT

TOP COLORS



white

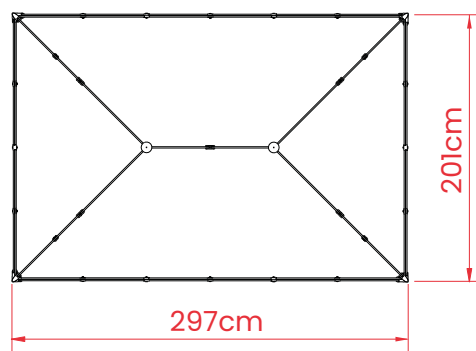
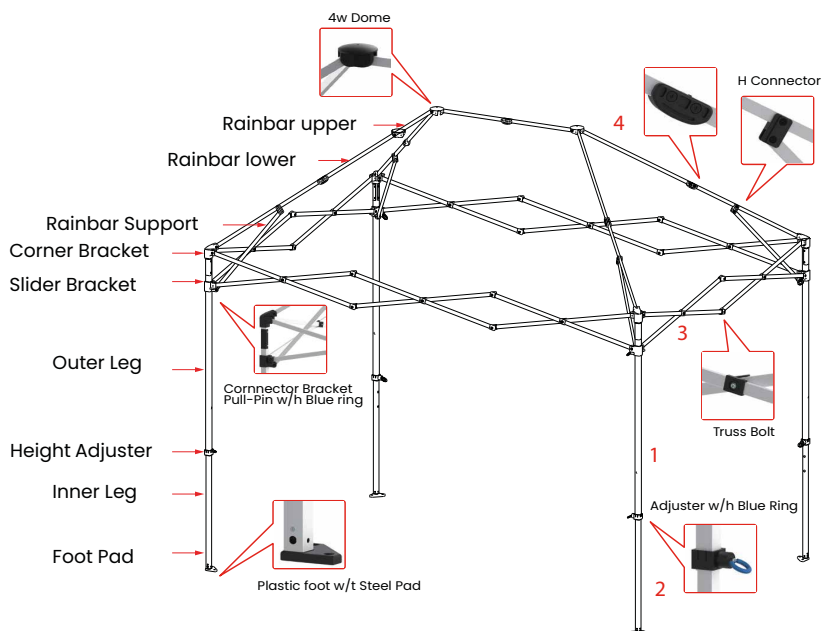


black



534 C

COMPONENTS AND MEASURES



1. Outer leg: 30x30x1t Steel
2. Inner leg: 29x29x1t Steel
3. Truss Bar: 10x23x0.6t Steel
4. Rainbar: 10x23x0.6t Steel



TECHNICAL DETAILS

Model	EXPRESS
Top size	3m x 3m
Base size	3m x 3m
Height ceiling edge	150-184 cm
Height top	300-315 cm
Color frame	White
Frame	Steel
Weight	24 kg
Fabric	300D
Packing size	26x26x140cm